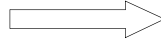




		kW	PS	CC	Cyl								
Cabrio	0.6	40	55	599	3	M 160 E6AL B03	03.00 - 01.04	68127	67127	83601	38980	53225	
Cabrio	0.6	45	61	599	3	M 160 E6AL B05	01.01 - 01.04	68127	67127	83601	38980	53225	
Cabrio	0.6	52	71	599	3		06.02 - 01.04	68127	67127	83601	38980	53225	
Cabrio	0.7	45	61	698	3		01.03 - 01.04	68127	67127	83601	38980	53225	
Cabrio	0.7	55	75	698	3		01.03 - 01.04	68127	67127	83601	38980	53225	
Cabrio	0.8 CDI	30	41	799	3	OM 660 DE 8LA	03.01 - 01.04	68127	67127	83601	38980	53225	
City coupé (MC01)	0.6	33	45	599	3	M 160 E6AL B04	07.98 - 01.04	68127	67127	83601	38980	53225	
City coupé (MC01)	0.6	40	55	599	3	M 160 E6AL B03	07.98 - 01.04	68127	67127	83601	38980	53225	
City coupé (MC01)	0.6	45	61	599	3	M 160 E6AL B05	01.01 - 01.04	68127	67127	83601	38980	53225	
City coupé (MC01)	0.6	52	71	599	3		06.02 - 01.04	68127	67127	83601	38980	53225	
City coupé (MC01)	0.7	37	50	698	3		01.03 - 01.04	68127	67127	83601	38980	53225	
City coupé (MC01)	0.7	45	61	698	3		01.03 - 01.04	68127	67127	83601	38980	53225	
City coupé (MC01)	0.7	55	75	698	3		01.03 - 01.04	68127	67127	83601	38980	53225	
City coupé (MC01)	0.8 CDI	30	41	799	3	OM 660 DE 8LA	11.99 - 01.04	68127	67127	83601	38980	53225	
Forfour	1.1 (454.030)	55	75	1124	3		04.04 -					43174	
Forfour	1.3 (454.031)	70	95	1332	4		04.04 -					43174	
Forfour	1.5 (454.032)	80	109	1499	4		04.04 -					43174	
Forfour	1.5 CDI	50	68	1493	3		09.04 -					43174	
Forfour	1.5 CDI	70	95	1493	3		09.04 -					43174	
Roadster	0.7	45	61	698	3		04.03 -	68127	67127	83601		43187	
Roadster	0.7	60	82	698	3		04.03 -	68127	67127	83601		43187	
Roadster	0.7 Brabus	74	101	698	3		12.03 -	68127	67127	83601		43187	



SEASONS	Page	SEASONS	Page	SEASONS	Page	SEASONS	Page	SEASONS	Page	SEASONS	Page	SEASONS	Page	SEASONS	Page
38980	546														
43174	546														
43187	546														
53225	546														
67127	546														
68127	546														
83601	546														

O.E.

0001632V003	53225									
0001632V004	53225									
0003435V003	83601									
0010026V003	43187									
0013198V001	53225									
1602300111	68127									
1602300111	67127									
C0003191V006	68127									
C0003191V006	67127									
C0003191V009	68127									
C0003191V009	67127									
MN151101	43174									
MR568975	43174									



4 SEASONS

NEW: 68127
RMFG: 67127



Ø 110 mm
Poly-V3
190 cc
Seiko-Seiki SS72DLG1

1602300111 / C0003191V006000000 / C0003191V009000000

4 SEASONS

43174



MN151101 / MR568975

4 SEASONS

43187

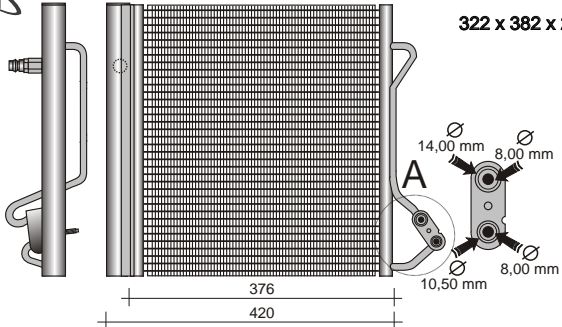


0010026V003

4 SEASONS

53225

322 x 382 x 20



14,00 mm 8,00 mm
10,50 mm 8,00 mm
376 420

0001632V003 / 0001632V004 / 0013198V001

4 SEASONS

Placeholder for product image

4 SEASONS

Placeholder for product image

4 SEASONS

83601



0003435V003

4 SEASONS

38980



Non contractual pictures / photos non contractuelles / nicht vertragliche Fotos / fotografie non contrattuali / fotos no contractuales