



kW PS CC Cyl

Dedra 835	1.6 i.e. (835AN)	55	75	1581	4	835 C1.000	04.93 - 09.96	68275	67275	33212	38623	53121	54119	93544	36600
Dedra 835	1.6 i.e. (835AN)	55	75	1581	4	835 C1.000	09.96 - 07.99	68275	67275	33212	38623	53605	54119	93544	36600
Dedra 835	1.6 i.e. (835AB)	57	78	1581	4	835 A1.046	08.89 - 03.93	68275	67275	33212	38623	53606		93544	36600
Dedra 835	1.6 i.e. (835AA)	66	90	1581	4	835 A1.000	08.89 - 06.94	68275	67275	33212	38623	53606		93544	36599
Dedra 835	1.6 LE (835EB) KAT	66	90	1581	4	159 B9.000	07.94 - 09.96	68275	67275	33212	38623	53121	54119	93544	36599
Dedra 835	1.6 LE (835EB) KAT	66	90	1581	4	159 B9.000	09.96 - 07.99	68275	67275	33212	38623	53605	54119	93544	36599
Dedra 835	1.6 16V (835EI)	76	103	1581	4	182 A4.000	01.96 - 07.99	68313	67313	33212	38623	53605	54119	93544	36599
Dedra 835	1.8 16V LE (835FG)	83	113	1747	4	182 A2.000	03.96 - 98	58755	57755	33212	38623	53605	54119	93544	36595
Dedra 835	1.8 16V LE (835FG)	83	113	1747	4	182 A2.000	99 - 07.99	68565	67565	33212	38623	53605	54119	93544	36595
Dedra 835	1.8 GT 16V (835EH)	96	131	1747	4	183 A1.000	03.96 - 07.99	58755	57755	33212	38623	53605	54119	93544	36595
Dedra 835	1.8 i.e. (835AT)	66	90	1756	4	835 C5.000	08.93 - 09.96	58755	57755	33212	38623	53121	54119	93544	36595
Dedra 835	1.8 i.e. (835AT)	66	90	1756	4	835 C5.000	09.96 - 07.99	58755	57755	33212	38623	53605	54119	93544	36595
Dedra 835	1.8 i.e. (835FA)	74	101	1756	4	836 A5.000	07.94 - 09.96	58755	57755	33212	38623	53121	54119	93544	36595
Dedra 835	1.8 i.e. (835FA)	74	101	1756	4	836 A5.000	09.96 - 07.99	58755	57755	33212	38623	53605	54119	93544	36595
Dedra 835	1.8 i.e. (835BD, 835AD)	77	105	1756	4	835 A2.046	09.89 - 06.93	58617	57617	33212	38623	53606		93544	36600
Dedra 835	1.8 i.e. (835BD, 835AD)	77	105	1756	4	835 A2.046	07.93 - 09.96	58755	57755	33212	38623	53121	54119	93544	36595
Dedra 835	1.8 i.e. (835BD, 835AD)	77	105	1756	4	835 A2.046	09.96 - 07.99	58755	57755	33212	38623	53605	54119	93544	36595
Dedra 835	1.8 i.e. (835AC, 835BC)	80	109	1756	4	835 A2.000	09.89 - 06.94	58617	57617	33212	38623	53606		93544	36600
Dedra 835	2.0 i.e. (835AL)	83	113	1995	4	835 A5.046	09.89 - 06.93	58617	57617	33212	38623	53606		93544	36600
Dedra 835	2.0 i.e. (835AL)	83	113	1995	4	835 A5.046	07.93 - 09.96	58755	57755	33212	38623	53121	54119	93544	36595
Dedra 835	2.0 i.e. (835AL)	83	113	1995	4	835 A5.046	09.96 - 07.99	58755	57755	33212	38623	53605	54119	93544	36595
Dedra 835	2.0 i.e. (835AI)	86	117	1995	4	835 A5.000	09.89 - 07.92	58617	57617	33212	38623	53606		93544	36600
Dedra 835	2.0 16V (835ED)	102	139	1995	4	836 A3.000	07.94 - 05.95	68532	67532	33902	38623	53121	54119	93544	36600
Dedra 835	2.0 16V (835ED)	102	139	1995	4	836 A3.000	06.95 - 07.99	58755	57755	33902	38623	53605	54119	93544	36595
Dedra 835	2.0 i.e.rbo (835AR)	119	162	1995	4	835 A8.046	04.91 - 06.93	58617	57617	33212	38623	53606		93544	36600
Dedra 835	2.0 i.e.rbo (835AR)	119	162	1995	4	835 A8.046	07.94 - 09.96	58755	57755	33212	38623	53121	54119	93544	36595
Dedra 835	2.0 i.e.rbo (835AR)	119	162	1995	4	835 A8.046	09.96 - 07.99	58755	57755	33212	38623	53605	54119	93544	36595
Dedra 835	2.0 i.e.rbo Integrale	121	165	1995	4	835 A7.000	05.90 - 07.94	58617	57617	33212	38623	53606		93544	36600
Dedra 835	2.0 HF Integrale	124	169	1995	4	835 A7.046	11.90 - 07.94	58617	57617	33212	38623	53606		93544	36600
Dedra 835	2.0rbo (835AQ)	130	177	1995	4	835 A8.000	11.90 - 06.94	58617	57617	33212	38623	53606		93544	36600
Dedra 835	1.9 TDS	66	90	1929	4	160 D1.000	04.89 - 12.92	58276	57276	33212	38623	53606		93544	36600
Dedra 835	1.9 TDS	66	90	1929	4	160 D1.000	01.93 - 09.96	58276	57276	33212	38623	53121	54119	93544	36600
Dedra 835	1.9 TDS	66	90	1929	4	160 D1.000	09.96 - 07.99	58276	57276	33212	38623	53605	54119	93544	36600
Delta II (836)	1.4 i.e. (836AF, 836AH)	51	69	1372	4	160 A1.046, 836 A4.000	10.94 - 09.96					53121	54119	93544	36600
Delta II (836)	1.4 i.e. (836AF, 836AH)	51	69	1372	4	160 A1.046, 836 A4.000	09.96 - 08.99					53605	54119	93544	36600
Delta II (836)	1.6 i.e. (836AD)	55	75	1581	4	835 C1.000	06.93 - 09.96	68275	67275	33212	38623	53121	54119	93544	36600
Delta II (836)	1.6 i.e. (836AD)	55	75	1581	4	835 C1.000	09.96 - 08.99	68275	67275	33212	38623	53605	54119	93544	36600
Delta II (836)	1.6 i.e. (836AP)	66	90	1581	4	182 A6.000	03.96 - 08.99	68313	67313	33212	38623	53605	54119	93544	36600
Delta II (836)	1.6 i.e. 16V (836AO)	76	103	1581	4	182 A4.000	01.96 - 08.99	68313	67313	33212	38623	53605	54119	93544	36595
Delta II (836)	1.8 i.e. 16V (836AQ)	83	113	1747	4	182 A2.000	03.96 - 98	58755	57755	33212	38623	53605	54119	93544	36595
Delta II (836)	1.8 i.e. 16V (836AQ)	83	113	1747	4	182 A2.000	99 - 08.99	68565	67565	33212	38623	53605	54119	93544	36600
Delta II (836)	1.8 i.e. 16V GT	96	131	1747	4	183 A1.000	03.96 - 08.99	58755	57755	33212	38623	53605	54119	93544	36595
Delta II (836)	1.8 i.e. (836AG, 836AL)	66	90	1756	4	835 C4.000	07.94 - 09.96	58755	57755	33212	38623	53121	54119	93544	36595
Delta II (836)	1.8 i.e. (836AG, 836AL)	66	90	1756	4	835 C4.000	09.96 - 08.99	58755	57755	33212	38623	53605	54119	93544	36595



kW PS CC Cyl

Delta II (836)	1.8 i.e. (836AE)	76	103	1756	4	835	C2.000	06.93 - 09.96	58755	57755	33212	38623	53121	54119	93544	36595
Delta II (836)	1.8 i.e. (836AE)	76	103	1756	4	835	C2.000	09.96 - 08.99	58755	57755	33212	38623	53605	54119	93544	36595
Delta II (836)	2.0 16V	102	139	1995	4	836	A3.000	06.93 - 12.94	68532	67532	33902	38623	53121	54119	93544	36600
Delta II (836)	2.0 16V	102	139	1995	4	836	A3.000	12.94 - 09.96	58755	57755	33902	38623	53121	54119	93544	36595
Delta II (836)	2.0 16V	102	139	1995	4	836	A3.000	09.96 - 08.99	58755	57755	33902	38623	53605	54119	93544	36595
Delta II (836)	2.0 16Vrbo (836AB)	137	186	1995	4	836	A2.000	06.93 - 12.94	68532	67532	33212	38623	53121	54119	93544	36600
Delta II (836)	2.0 16Vrbo (836AB)	137	186	1995	4	836	A2.000	12.94 - 09.96	58755	57755	33212	38623	53121	54119	93544	36595
Delta II (836)	2.0 16Vrbo (836AB)	137	186	1995	4	836	A2.000	09.96 - 08.99	58755	57755	33212	38623	53605	54119	93544	36595
Delta II (836)	2.0 16Vrbo (836AS)	142	193	1995	4	175	A4.000	07.96 - 08.99	58755	57755	33212	38623	53605	54119	93544	36595
Delta II (836)	1.9 TD	66	90	1929	4	160	D1.000, 835 A4.000	10.94 - 09.96	58276	57276	33212	38623	53121	54119	93544	36600
Delta II (836)	1.9 TD	66	90	1929	4	160	D1.000, 835 A4.000	09.96 - 08.99	58276	57276	33212	38623	53605	54119	93544	36600
Delta II (836)	ALL HPE								68149	67149			53605	54119	93544	36600
Kappa (838)	2.0 16Vrbo (838AB1AA)	151	205	1995	4	838	A4.000	02.95 - 10.01						54139	93572	36599
Kappa (838)	2.0 20V (838AA1AA)	107	146	1998	5	838	A1.000	10.94 - veh. 2087518	68119	67119	33227	38689		54139	93572	36599
Kappa (838)	2.0 20V (838AA1AA)	107	146	1998	5	838	A1.000	veh. 2087519 - 10.01	68118	67118	33227	38689		54139	93572	36599
Kappa (838)	2.0 20V (838AG1AA)	114	155	1998	5	838	A6.000	07.96 - veh. 2087518	68119	67119	33227	38689	53682	54139	93572	20035
Kappa (838)	2.0 20V (838AG1AA)	114	155	1998	5	838	A6.000	veh. 2087519 - 10.01	68118	67118	33227	38689	53682	54139	93572	20035
Kappa (838)	2.0 20Vrbo	162	220	1998	5	175	A3.000	06.98 - 10.01		67581	33227	38689	53127	54139	93572	36599
Kappa (838)	2.4 20V (838AC1AA)	129	175	2446	5	838	A2.000, 838 A2.027	08.94 - 10.01	68119	67119	33227	38689	53682	54139	93572	36599
Kappa (838)	3.0 24V (838AD1AA)	150	204	2959	6	838	B.000	08.94 - 01.96			33227	38689		54139	93572	20035
Kappa (838)	3.0 24V (838AD1AA)	150	204	2959	6	838	B.000	01.96 - 10.01	68564	67564	33227	38689		54139	93572	20035
Kappa (838)	2.4 T.DS (838AE1AA)	91	124	2387	5	838	A3.000, 838 A7.000	08.94 - 10.01	68119	67119	33227	38689	53683	54139	93572	36599
Kappa (838)	2.4 JTD (838AL1AA)	100	136	2387	5	838	A8.000	06.98 - 10.01	68119	67119	33227	38689		54139	93572	20035
Lybra (839)	1.6 16V (839AXA1A)	76	103	1581	4	182	A4.000, 182 B6.000	07.99 -	68142	67142	33227	38689	53310		93776	20035
Lybra (839)	1.8 16V (839AXB1A)	96	131	1747	4	839	A4.000, 839 A7.000	07.99 - 07.02	68565	67565	33227	38689	53310		93776	20035
Lybra (839)	1.8 16V (839AXB1A)	96	131	1747	4	839	A4.000, 839 A7.000,	07.02 -	68144	67144	83655	38689			93776	20035
Lybra (839)	2.0 20V (839AXH1A)	110	150	1998	5	185	A8.000	09.00 - 07.02	68565	67565	33227	38689	53310		93776	20035
Lybra (839)	2.0 20V (839AXH1A)	110	150	1998	5	185	A8.000	07.02 -	68144	67144	83655	38689			93776	20035
Lybra (839)	2.0 20V (839AXC11)	113	154	1998	5	182	B7.000	07.99 - 09.00		57758	33227	38689	53310		93776	20035
Lybra (839)	1.9 JTD (839AXD1A)	77	105	1910	4	AR	32302	07.99 - 09.00	68565	67565	33227	38689	53310		93776	20035
Lybra (839)	1.9 JTD (839AXI1A)	81	110	1910	4	AR	37101	09.00 - 05.01	68565	67565	33227	38689	53310		93776	20035
Lybra (839)	1.9 JTD	85	115	1910	4			05.01 -	68565	67565		38689			93776	20035
Lybra (839)	2.4 JTD (839AXE1A)	99	135	2387	5	AR	32501, 839 A5.000	07.99 - 09.00	68565	67565	33227	38689	53310		93776	20035
Lybra (839)	2.4 JTD (839AXL1A)	103	140	2387	5	839	A6.000	09.00 - mot. 1821623	68565	67565	33227	38689	53310		93776	20035
Lybra (839)	2.4 JTD (839AXL1A)	103	140	2387	5	839	A6.000	mot. 1821624 - 05.02	68118	67118	33227	38689	53310		93776	20035
Lybra (839)	2.4 JTD	110	150	2387	5	841	C.000	05.02 -	68118	67118	33227	38689			93776	20035
Musa	1.4	57	78	1368	4	350	A1.000	09.05 -	68140	67140	83953		43057			
Musa	1.4	70	95	1368	4			10.04 -	68140	67140	83953		43057		93561	
Musa	1.3 Multijet	51	70	1248	4			10.04 -	68183	67183	83953		43057		93561	
Musa	1.3 Multijet	66	90	1248	4	199	A3.000	09.06 -	68183	67183	83953		43057			
Musa	1.6 D Multijet	88	120	1598	4			07.08 -								
Musa	1.9 Multijet	74	101	1910	4			10.04 -	68183	67183	83953		43101		93561	



kW PS CC Cyl

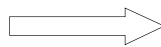
Musa	1.4	57	78	1368	4	350	A1.000	09.05 -	68140	67140	83953	43057				
Musa	1.4	70	95	1368	4			10.04 -	68140	67140	83953	43057	93561			
Musa	1.3 Multijet	51	70	1248	4			10.04 -	68183	67183	83953	43057	93561			
Musa	1.3 Multijet	66	90	1248	4	199	A3.000	09.06 -	68183	67183	83953	43057				
Musa	1.6 D Multijet	88	120	1598	4			07.08 -								
Musa	1.9 Multijet	74	101	1910	4			10.04 -	68183	67183	83953	43101	93561			
Phedra (179)	2.0 (179AXA11)	100	136	1997	4		RFN(EW10J4)	09.02 -	68584	67584	83540		93805			
Phedra (179)	3.0 V6	150	204	2946	6		ES9 J4S	09.02 -	68507	67507	83540		93805			
Phedra (179)	2.0 JTD	79	107	1997	4			07.03 -	68153	67153	83540		93805			
Phedra (179)	2.0 JTD (179AXB1A)	80	109	1997	4		RHW(DW10ATED4)	09.02 -	68153	67153	83540		93805			
Phedra (179)	2.0 JTD	88	120	1997	4		RHK	06.06 -	98803							
Phedra (179)	2.0 D Multijet	100	136	1997	4		RHR	07.06 -	98803							
Phedra (179)	2.2 JTD (179AXC1A)	94	128	2179	4		4HW(DW12ATED4)	09.02 -	68153	67153	83540		93805			
Thema (834)	2000 i.e.	83	113	1995	4		834 B.048	03.86 - 09.88	68508	67508	33661	38770	53647	54636	93559	36600
Thema (834)	2000 i.e. (834BV)	85	115	1995	4		834 B.146	09.87 - 05.92	68508	67508	33661	38770	53647	54636	93559	36600
Thema (834)	2000 i.e (834AB)	86	117	1995	4		834 B1.000	09.88 - 05.92	68508	67508	33661	38770		54636	93559	36600
Thema (834)	2000 i.e. (834B)	88	120	1995	4		834 B.000	11.84 - 09.88	68508	67508	33661	38770	53647	54636	93559	36600
Thema (834)	2000 i.e. 16V (834AI)	104	141	1995	4		834 B2.246	02.89 - 05.92	68508	67508	33661	38770		54636	93559	36600
Thema (834)	2000 i.e. 16V (834AA)	108	147	1995	4		834 B2.000	05.88 - 08.92	68508	67508	33661	38770		54636	93559	36600
Thema (834)	2000 i.e.Turbo (834CV)	110	150	1995	4		834 C.146	07.86 - 05.90	68508	67508	33661	38770	53648	54636	93559	36600
Thema (834)	2000 16V (834FA)	112	152	1995	4		834 F1.000	08.92 - 12.93	68508	67508	33661	38770		54636	93559	36600
Thema (834)	2000 i.e.rbo (834C)	122	166	1995	4		834 C.000	11.84 - 12.87	68508	67508	33661	38770	53647	54636	93559	36600
Thema (834)	2000 i.e.rbo (834C)	122	166	1995	4		834 C.000	11.84 - 12.87	68508	67508	33661	38770	53648	54636	93559	36600
Thema (834)	2000 i.e. 16Vrbo	130	177	1995	4		834 C1.246	04.89 - 05.92	68508	67508	33661	38770		54636	93559	36600
Thema (834)	2000 16Vrbo (834AC)	133	181	1995	4		834 C1.000	12.88 - 06.90	68508	67508	33661	38770		54636	93559	36600
Thema (834)	2000 16Vrbo (834GC)	148	201	1995	4		834 F2.000	10.92 - 07.94	68508	67508	33661	38770		54636	93559	36600
Thema (834)	2850 V6 i.e. (834AD)	108	147	2849	6		834 E.146	06.88 - 05.92	68508	67508	33661	38770		54636	93559	36600
Thema (834)	2850 V6 i.e. (834F)	110	150	2849	6		834 E.000	11.84 - 09.88	68508	67508	33661	38770	53647	54636	93559	36600
Thema (834)	8.32 (834FS)	151	205	2927	8		F 105 L.046	10.87 - 05.92	68508	67508	33661	38770		54636	93559	36600
Thema (834)	8.32 (834F)	158	215	2927	8		F 105 L	09.87 - 05.89	68508	67508	33661	38770	53647	54636	93559	36600
Thema (834)	3000 V6 (834GD)	126	171	2959	6		834 F.000	08.92 - 07.94	68508	67508	33661	38770		54636	93559	36600
Thema (834)	2500rbo D (834D)	74	101	2445	4		8144.91	11.84 - 09.88	68509	67509	33661	38770		54636	93559	36600
Thema (834)	2500rbo DS (834AE)	85	115	2482	4		8144.97	06.88 - 05.92	68509	67509	33661	38770	53650	54636	93559	36600
Thema (834)	2500rbo DS (834AM)	77	105	2500	4		8144. 97S	05.88 - 07.92	68509	67509	33661	38770	53650	54636	93559	36600
Thema (834)	2500rbo DS (834AM)	77	105	2500	4		8144. 97S	05.88 - 07.92	68509	67509	33661	38770	53126	54636	93559	36600
Thema (834)	2500rbo DS (834FE)	85	116	2500	4		8144.97 Y	05.92 - 07.94	68510	67510	33661	38770	53650	54636	93559	36600
Thema (834)	2500rbo DS (834FE)	85	116	2500	4		8144.97 Y	05.92 - 07.94	68510	67510	33661	38770	53126	54636	93559	36600
Thesis (841AX)	2.0rbo (841AXA1B03)	136	185	1998	5		841E.000	07.02 -	68118	67118	33227		43040			
Thesis (841AX)	2.4 (841AXB1B00)	125	170	2446	5		841D.000	07.02 -	68118	67118	33227		43040			
Thesis (841AX)	3.0 V6 (841AXC1101)	158	215	2959	6		841A.000	07.02 -	68564	67564	33227		43041			
Thesis (841AX)	3.2 V6	169	230	3179	6			05.03 -	68564	67564	33227		43041			
Thesis (841AX)	2.4 JTD (841AXD1B02)	110	150	2387	5		841C.000	07.02 -	68118	67118	33227		43040			



kW PS CC Cyl

Thesis (841AX)		2.4 JTD	129	175	2387	5	05.03 -	68118	67118	33227	43040					
Y (840A)	1.1 (840AE)	40	54	1108	4	176	B2.000	11.95 - 05.97	58757	57757	33227	38687	53679	54117	93551	36598
Y (840A)	1.1 (840AE)	40	54	1108	4	176	B2.000	06.97-	58757	57757	33227	38687	53131	54117	93551	36598
Y (840A)	1.2 (840AA, 840AF1A)	44	60	1242	4	188	A4.000, 840 A3.000	03.96 - 09.97	68310	67310	33227	38687	53679	54117	93551	36598
Y (840A)	1.2 (840AA, 840AF1A)	44	60	1242	4	188	A4.000, 840 A3.000	10.97 - 10.00	58757	57757	33227	38687	53131	54117	93551	36596
Y (840A)	1.2 (840AA, 840AF1A)	44	60	1242	4	188	A4.000, 840 A3.000	10.00 - 01.02	58760	57760	33227	38687	53132	54117	93551	36596
Y (840A)	1.2 (840AA, 840AF1A)	44	60	1242	4	188	A4.000, 840 A3.000	01.02-	68140	67140			53132		93551	
Y (840A)	1.2 16V (840AG1A)	59	80	1242	4	188	A5.000	10.00 - 01.02	58760	57760	33227	38687	53132	54117	93551	36596
Y (840A)	1.2 16V (840AG1A)	59	80	1242	4	188	A5.000	01.02-	68140	67140					93551	
Y (840A)	1.2 16V (840AD)	63	86	1242	4	176	B9.000	04.97 - 07.97	58760	57760	33227	38687	53135	54117	93551	36598
Y (840A)	1.2 16V (840AD)	63	86	1242	4	176	B9.000	08.97 - 01.02	58760	57760	33227	38687	53132	54117	93551	36598
Y (840A)	1.2 16V (840AD)	63	86	1242	4	176	B9.000	01.02-	68140	67140					93551	
Y (840A)	1.4 12V (840AC)	55	75	1370	4	840	A4.000	03.96 -	58754	57754	33227	38687	53132	54117	93551	36598
Y (840A)	1.4 12V (840AB)	59	80	1370	4	840	A2.000	10.96 -	58754	57754	33227	38687	53132	54117	93551	36598
Y10 (156)								07.89 -	68148				53313		93547	
Ypsilon	1.2	44	60	1242	4	188	A4.000	10.03 -	68140	67140	83953		43057		93561	
Ypsilon	1.2	59	80	1242	4	188	A5.000	10.03 -	68140	67140	83953		43057		93561	
Ypsilon	1.4	57	78	1368	4	350	A1.000	02.06 -	68183	67183	83953		43057			
Ypsilon	1.4	70	95	1368	4	843	A 1.000	10.03 -	68183	67183	83953		43057			
Ypsilon	1.3 JTD	51	70	1248	4	188	A9.000	10.03 -	68183	67183	83953		43057		93561	
Ypsilon	1.3 Multijet	55	75	1248	4	199	A2.000	09.06 -	68183	67183	83953		43057			
Ypsilon	1.3 Multijet	66	90	1248	4	199	A3.000	09.06 -	68183	67183	83953		43057			
Zeta (220)	2.0 16V (220AL5)	97	132	1998	4	RFV		05.98 - 07.00	58599	57599	33229	38817	53914	54566	93656	36602
Zeta (220)	2.0 16V (220AQ5)	100	136	1997	4	RFN		07.00 - 09.02	58599	57599	33229	38817	53914	54566	93656	36602
Zeta (220)	2.0rbo (220AD5)	108	147	1998	4	RGX		05.95 - 09.02	58599	57599	33229	38817	53914	54566	93656	36602
Zeta (220)	2.0 JTD (220AN5)	80	109	1997	4	RHW, RHZ		09.99 - 09.02	58599	57599	33229	38817	53914	54566	93656	36602
Zeta (220)	2.1 TD (220AJ5)	80	109	2088	4	P 8 C		05.96 - 09.99	58599	57599	33229	38817	53914	54566	93656	36602

O.E.



4 SEASONS

1135095	67275	46514443	57757	54400-70000	57755	6453TC	98803	7774059	67508
1135095	68275	46514443	58757	54400-70000	58755	6453VC	98803	7774059	68508
1135296	67142	46525369	67142	54407-0900	57754	71721733	67140	7775422	67119
1135296	68142	46525369	68142	54407-0900	58754	71721733	68140	7775422	68119
1474080080	53914	46527180	33227	55192057	67142	71721751	67565	7780349	54119
284006203	53313	46536396	67118	55192057	68142	71721751	68565	7785062	68148
442100-0280	57760	46536396	68118	59247-5600	57760	71721765	67584	7788280	36598
442100-0280	58760	46540164	67144	59247-5600	58760	71721765	68584	7789218	53683
442100-0284	57760	46540164	68144	5A787-5000	67140	71722315	67183	7794459	38770
442100-0284	58760	46558107	53132	5A787-5000	68140	71722315	68183	7799352	53127
442500-2072	57755	46721106	54139	5A797-5600	67183	71723460	67507	82403287	54636
442500-2072	58755	46721108	38689	5A797-5600	68183	71723460	68507	82403293	38770
442500-2151	57754	46721212	93551	6050695	33661	71737165	83655	82409695	53647
442500-2151	58754	46721527	93572	60607289	67564	71785265	67183	82420113	93559
442500-2213	67310	46721906	38687	60607289	68564	71785265	68183	82429761	53650
442500-2213	68310	46722095	93551	60611537	57755	71785268	67140	82437674	53648
447100-1560	57760	46722111	54117	60611537	58755	71785268	68140	82450856	53648
447100-1560	58760	46722498	38689	60620312	57755	7582699	93544	82450857	53647
447170-6300	67118	46722837	93776	60620312	58755	7590678	93544	82471989	53126
447170-6300	68118	46722928	93561	60625482	20035	7595711	93544	82475804	33661
447170-6304	67118	46723358	83953	60630739	67565	7604446	57276	82475806	36600
447170-6304	68118	4675168	57760	60630739	68656	7604446	58276	82478871	33902
447200-9150	67119	4675168	58760	60653652	67565	7614069	93547	82478872	33212
447200-9150	68119	46775094	67118	60653652	68565	7618916	53606	82479336	38623
447220-8153	67118	46775094	68118	60660405	43040	7637982	67508	82483933	53682
447220-8153	68118	46782669	67140	606676576	33227	7637982	68508	9464420380	93805
447300-8170	67118	46782669	68140	60678468	43041	7645813	57617	9566944680	93656
447300-8170	68118	46785772	57760	60806475	57617	7645813	58617	9613627780	38817
447300-9140	57760	46785772	58760	60806475	58617	7736048	67508	9617682080	33229
447300-9140	58760	46785772	67137	60810151	33212	7736048	68508	9620143680	36602
46405414	57755	46785772	68137	60810355	57276	77384720	57755	9626902180	67584
46405414	58755	46811665	83953	60810355	58276	77384720	58755	9626902180	68584
46409573	67581	46819144	67183	60812516	57754	7742746	33227	9639109580	67153
46410020	36599	46819144	68183	60812516	58754	7746258	67532	9639109580	68153
46438366	57754	46820833	43057	60814396	67565	7746258	68532	9640486480	57599
46438366	58754	4846601	67509	60814396	68565	7754065	93544	9640486480	58599
46438576	67313	4846601	68509	60815796	67118	7754068	93544	9646416780	68153
46438576	68313	51708909	43101	60815796	68118	7765865	67310	9655229080	98803
46439770	36595	51732993	43057	6448A7	93656	7765865	68310	9659749480	98803
46452494	53679	51746931	67183	6450V5	54566	7767200	57276	9686061980	98803
46459581	53310	51746931	68183	6453JN	67153	7767200	58276	9686062080	98803
46472575	53135	51747318	67140	6453JN	68153	7773398	67275	98453640	67510
46476438	36596	51747318	68140	6453JQ	67153	7773398	68275	98453640	68510
46479313	53131	51802116	43057	6453JQ	68153	7773819	53121		
46514137	57758	51804991	43057	6453TA	98803	7773820	53605		



4 SEASONS

NEW: 58276
RMFG: 57276Ø 127 mm
Poly-V5
265 cc
Harrison V5

7767200 / 60810355 / 7604446

4 SEASONS

NEW: 58599
RMFG: 5759947999
Ø 119 mm
Poly-V6
135 cc
Sanden 7V16

9613260680 / 9640486480 / 6453FE / 6453GA / 6453L5

4 SEASONS

NEW: 58617
RMFG: 57617Ø 143 mm
2 G - A
135 cc
Sanden 709

60806475 / 7645813

4 SEASONS

NEW: 58754
RMFG: 57754Ø 135 mm
Poly-V6
150 cc
Nippondenso TV12SC

60812516 / 46438366 / 544070900 / 442500-2151

4 SEASONS

NEW: 58755
RMFG: 57755Ø 135 mm
Poly-V7
150 cc
Nippondenso TV12SC

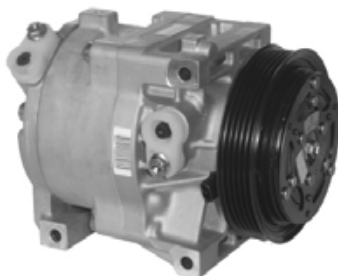
46405414 / 60620312 / 60611537 / 77384720 / 5440070000 / 442500-2072

4 SEASONS

NEW: 58757
RMFG: 57757Ø 130/115 mm
Poly-V4/V4
80 cc
Nippondenso SC08
44717-0050

46514443 / 46785773

4 SEASONS

NEW: 58760
RMFG: 57760Ø 120 mm
Poly-V5
100 cc
Nippondenso SC08

4675168 / 46785772 / 442100-0280 / 442100-0284 / 447100-1560 / 447300-9140 / 59247-5600

4 SEASONS

NEW: 68118
RMFG: 67118Ø 135 mm
Poly-V6
220 cc
Nippondenso 7SBU16C

46775094 / 60815796 / 46536396 / 447300-8170 / 447170-6304 / 447220-8153 / 447170-6300

4 SEASONS

NEW: 68119
RMFG: 67119Ø 132 mm
Poly-V6
220 cc
Nippondenso 6CA17A

7775422 / 447200-9150

4 SEASONS

NEW: 68140
RMFG: 67140



Ø 110 mm
 Poly-V5
 165 cc
Nippondenso SCSB06

51747318 / 46782669 / 71721733 / 71785268 / 5A787-5000

4 SEASONS

NEW: 68142
RMFG: 67142




Ø 119 mm
 Poly-V4
 265 cc
Harrison V5

55192057 / 46525369 / 1135296

4 SEASONS

NEW: 68144
RMFG: 67144



Ø 120 mm
 Poly-V6
 135 cc
Sanden 6V12

46540164

4 SEASONS

NEW: 68148
RMFG: [REDACTED]



Ø 125 mm
 Poly-V4/V3
 100 cc
Sanden 7B10

7785062

4 SEASONS


NEW: 68149
RMFG: 67149



Ø 145 mm
 2 G - A
 135 cc
Sanden 7V16

4 SEASONS

NEW: 68153
RMFG: 67153



Ø 124 mm
 Poly-V6
 135 cc
Sanden 7V16

9639109580 / 9646416780 / 6453JN / 6453JQ

4 SEASONS

NEW: 68183
RMFG: 67183



Ø 100 mm
 Poly-V6
 80 cc
Nippondenso SCS06

46819144 / 51746931 / 5A797-5600 / 71722315 / 71785265

4 SEASONS

NEW: 68275
RMFG: 67275




Ø 138 mm
 1 G - A
 235 cc
Harrison V5

7773398 / 1135095

4 SEASONS

NEW: 68310
RMFG: 67310



Ø 135/125 mm
 Poly-V4/V4
 150 cc
Nippondenso TV12SC

7765865 / 442500-2213

Non contractual pictures / photos non contractuelles / nicht vertragliche Fotos / fotografie non contrattuali / fotos no contractuales



4 SEASONS

NEW: **68313**
RMFG: **67313**Ø 125 mm
Poly-V4
150 cc
Nippondenso TV12SC

46438576

4 SEASONS

NEW: **68507**
RMFG: **67507**Ø 119 mm
Poly-V6
135 cc
Sanden 7V16

71723460

4 SEASONS

NEW: **68508**
RMFG: **67508**Ø 132 mm
2 G - A
135 cc
Sanden 709

7774059 / 7637982 / 7736048

4 SEASONS

NEW: **68509**
RMFG: **67509**Ø 109 mm
1 G - A
135 cc
Sanden 709

4846601

4 SEASONS

NEW: **68510**
RMFG: **67510**Ø 109 mm
1 G - A
135 cc
Sanden 7H15

98453640

4 SEASONS

NEW: **68532**
RMFG: **67532**Ø 148 mm
2 G - A
240 cc
Sanden 7H15

7746258

4 SEASONS

NEW: **68564**
RMFG: **67564**Ø 121 mm
Poly-V6
135 cc
Sanden 7V16

60607289

4 SEASONS

NEW: **68565**
RMFG: **67565**Ø 130 mm
Poly-V6
135 cc
Sanden 7V16

60653652 / 60814396 / 60630739 / 71721751

4 SEASONS

NEW: **68584**
RMFG: **67584**Ø 119 mm
Poly-V6
135 cc
Sanden 7V16

71721765 / 9626902180

4 SEASONS

NEW:
RMFG: 57758



∅ 125 mm
 Poly-V6
 150 cc
Nippondenso TV12SC

46514137 / 46427592 / 46449285 / 46514636 / 447100-1190 / 54407-1500

4 SEASONS

NEW:
RMFG: 67581



∅ 136 mm
 2 G - A
 135 cc
Sanden 7V16

46409573

4 SEASONS

NEW: 98803
RMFG:



∅ 119 mm
 Poly-V6
 135 cc
Sanden 7V16

6453TA / 9655229080 / 9686061980

4 SEASONS

43040



60660405

4 SEASONS

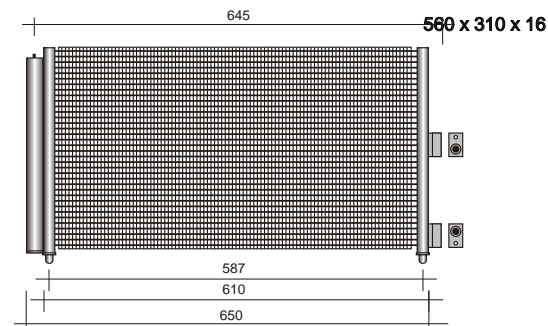
43041



60678468

4 SEASONS

43057

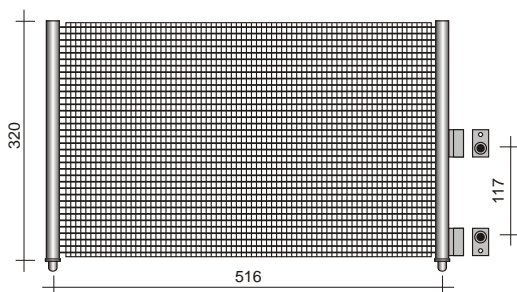


46820833 / 51732993 / 51802116 / 51804991

4 SEASONS

43101

500 x 310 x 16

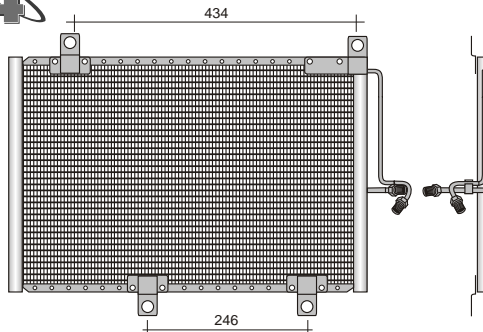


51708909

4 SEASONS

53121

490 x 325 x 21

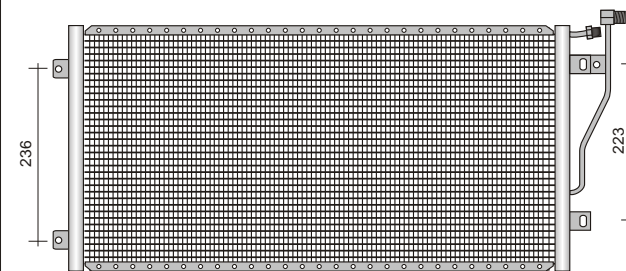


7773819

4 SEASONS

53126

640 x 308 x 21



82471989

Non contractual pictures / photos non contractuelles / nicht vertragliche Fotos / fotografie non contrattuali / fotos no contractuales



4 SEASONS **53127** **408 x 376 x 22**

7799352

4 SEASONS **53131** **520 x 280 x 20**

46479313

4 SEASONS **53132** **520 x 280 x 20**

46558107

4 SEASONS **53135** **640 x 250 x 22**

46472575

4 SEASONS **53310** **532 x 352 x 16**

46459581

4 SEASONS **53313** **495 x 242 x 19**

284006203

4 SEASONS **53605** **575 x 340 x 31**

7773820

4 SEASONS **53606** **580 x 350 x 20**

7618916

4 SEASONS **53646** **486 x 424 x 24**

82440856 / 82409694

Non contractual pictures / photos non contractuelles / nicht vertragliche Fotos / fotografie non contrattuali / fotos no contractuales

4 SEASONS

53647
483 x 428 x 21

82409695 / 82450857

4 SEASONS

53648
480 x 375 x 22

82450856 / 82437674

4 SEASONS

53650
570 x 325 x 25

82429761

4 SEASONS

53679
640 x 250 x 22

46452494

Drier Included

4 SEASONS

53680
510 x 250 x 25

82444768

4 SEASONS

53682
455 x 376 x 22

82483933

4 SEASONS

53683
492 x 360 x 22

7789218

4 SEASONS

53914
690 x 458 x 16

1474080080

4 SEASONS

54117

46722111

Non contractual pictures / photos non contractuelles / nicht vertragliche Fotos / fotografie non contrattuali / fotos no contractuales



4 SEASONS **54119**

7780349

4 SEASONS **54139**

287 x 205 x 92

46721106

4 SEASONS **54566**

360 x 217 x 67

6450V5

4 SEASONS **54636**

280 x 225 x 95

82403287

4 SEASONS **93544**

250 x 158 x 42

7582699 / 7590678 / 7595711 / 7754065 / 7754068

4 SEASONS **93547**

230 x 140 x 42

7614069

4 SEASONS **93551**

180 x 195 x 40

46721212 / 46722095

Magnetti Marelli

4 SEASONS **93559**

280 x 158 x 42

8240113

4 SEASONS **93561**

210 x 160 x 32

46722928

Magnetti Marelli

Non contractual pictures / photos non contractuelles / nicht vertragliche Fotos / fotografie non contrattuali / fotos no contractuales

4 SEASONS **93572**
 280 x 160 x 42

46721527

4 SEASONS **93656**
 300 x 170 x 35

9566944680 / 6448A7

4 SEASONS **93776**
 240 x 160 x 32

46722837

4 SEASONS **93805**
 250 x 180 x 34

9464420380

4 SEASONS

4 SEASONS

4 SEASONS **33212**

82478872 / 60810151

4 SEASONS **33227**

7742746 / 46527180 / 60676576

4 SEASONS **33229**

9617682080

4 SEASONS **33661**

82475804 / 6050695

4 SEASONS **33902**

82478871

Non contractual pictures / photos non contractuelles / nicht vertragliche Fotos / fotografie non contrattuali / fotos no contractuales



4 SEASONS **83540**



4 SEASONS **83655**




71737165

4 SEASONS **83953**



46811665 / 46723358

4 SEASONS **38623**



82479336

⚠
White

4 SEASONS **38687**



46721906

4 SEASONS **38689**



46721108 / 46722498

4 SEASONS **38770**



82403293 / 7794459

4 SEASONS **38817**



9613627780

4 SEASONS **20035**



60625482

4 SEASONS **36595**



46439770

4 SEASONS **36596**



46476438

4 SEASONS **36598**



7788280

4 SEASONS **36599**



46410020

4 SEASONS **36600**



82475806

4 SEASONS **36602**



9620143680

Non contractual pictures / photos non contractuelles / nicht vertragliche Fotos / fotografie non contrattuali / fotos no contractuales