



kW PS CC Cyl

Buick Park Avenue	3.8	127	173	3791	6	L27	01.91 - 12.91	88867	57867	33130	38623	54474	94480	35751
Buick Park Avenue	3.8	127	173	3791	6	L27	01.92 - 94	88967	57967	33129	38623	54474	94480	36674
Buick Park Avenue	3.8	127	173	3791	6	L27	95 - 10.96	88957	57957	33104	38623	54590	94480	36658
Buick Park Avenue	3.8	127	173	3791	6	L27	95 - 10.96	88958	57958	33104	38623	54590	94480	36658
Chevrolet Alero	2.2	104	141	2198	4		12.01 -	58991	57991	83212	38642		93015	
Chevrolet Alero	2.4 16V	104	141	2392	4		03.99 - 01	58991	57991	33754	38642	54271	93015	
Chevrolet Alero	2.4 16V	104	141	2392	4		02 -	58991	57991	83212	38642	54271	93015	
Chevrolet Alero	3.4 V6	130	177	3350	6		03.99 - 01	58992	57992	33754	38642	54271	93015	
Chevrolet Alero	3.4 V6	130	177	3350	6		02 -	58992	57992	83212	38642	54271	93015	
Chevrolet Blazer S '82	2.8 V6	93	126	2838	6	LR2	09.82 - 86	58231	57231	33184	38623	54342	54520	94608
Chevrolet Blazer S '82	2.8 V6	93	126	2838	6	LR2	86	58240	57240	33184	38623	54342	54520	94608
Chevrolet Blazer S '82	2.8 V6	93	126	2838	6	LR2	87 - 12.89	58238	57238	33184	38623	54342	54520	94608
Chevrolet Blazer S '88	4.3 V6	115	156	4300	6	LB4	09.88 - 91	58237	57237	33198	38638	53967	54520	94608
Chevrolet Blazer S '88	4.3 V6	115	156	4300	6	LB4	92 - 08.94	58935	57935	33198	38638	53967	54520	94608
Chevrolet Blazer '94	4.3 V6	142	193	4300	6	L35	01.94 - 95	58948	57948	33140	38638		54597	94762
Chevrolet Blazer '94	4.3 V6	142	193	4300	6	L35	96 - 98	88950	57950	33140	38638		54597	94762
Chevrolet Blazer '94	4.3 V6	142	193	4300	6	L35	99 - 03	88947	57947	33140	38638		54597	93014
Chevrolet Camaro '92	3.4 V6	119	162	3350	6	L32	12.92 - 94	88955	57955	33114	38804		54589	94760
Chevrolet Camaro '92	3.4 V6	119	162	3350	6	L32	95 - 07.98	88955	57955		38804		54589	94760
Chevrolet Camaro '92	5.7 V8	205	279	5733	8	LT1	12.92 - 94	88955	57955	33114	38804		54589	94760
Chevrolet Camaro '92	5.7 V8	205	279	5733	8	LT1	95 - 07.98	88955	57955		38804		54589	94760
Chevrolet Camaro '98	3.8 V6	142	193	3791	6		07.98 -	58971	57971	33157	38638		54618	94760
Chevrolet Camaro '98	5.7	212	288	5666	8		07.98 -	68288	67288	33157	38638		54618	94760
Chevrolet Corvette '83	5.6	179	243	5657	8		01.85 - 87	58238	57238	33191	38623		54510	94494
Chevrolet Corvette '83	5.6	179	243	5657	8		88 - 93		57332	33115	38623			94494
Chevrolet Corvette '83	5.6	179	243	5657	8		94 - 01.97		57332	33102	38623		54413	94494
Chevrolet Corvette '83	5.7	182	248	5734	8	L98	01.89 - 93		57332	33115	38623			94494
Chevrolet Corvette '83	5.7	182	248	5734	8	L98	94 - 01.97		57332	33102	38623		54413	94494
Chevrolet Corvette '97	5.7	253	344	5666	8	LS1	01.97 - 09.04	68277	67277	33752	38887	53593	54567	93055
Chevrolet Corvette '97	5.7 Z 06	283	385	5665	8	LS6	08.00 - 09.04	68277	67277	33752	38887	53593	54567	93055
Chevrolet Lumina APV	2.3	101	137	2260	4		10.93 - 12.94	58986	57986	33207	38623		54594	94759
Chevrolet Lumina APV	2.3	101	137	2260	4		01.95 - 07.96	58981	57981	33105	38623		54594	94759
Chevrolet Tahoe	4.8 V8	206	280	4808	8		12.99 -	78362	77362	83208	38638		54573	93050
Chevrolet Tahoe	4.8 V8	206	280	4808	8		12.99 -	78363	77363	83208	38638		54573	93050
Chevrolet Tahoe	5.3 V8	201	273	5327	8	LM7	12.99 -	78362	77362	83208	38638		54573	93050
Chevrolet Tahoe	5.3 V8	201	273	5327	8	LM7	12.99 -	78363	77363	83208	38638		54573	93050

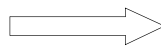


kW PS CC Cyl



Chevrolet Tahoe	6.0 V8	224	305	5967	8	12.99 -	78362	77362	83208	38638	54573	93050	36655
Chevrolet Tahoe	6.0 V8	224	305	5967	8	12.99 -	78363	77363	83208	38638	54573	93050	36655
Pontiac Firebird '81	Formula 5.0	112	152	5001	8 LG4	12.81 - 84	58229	57229	33198	38623	54537	94606	35751
Pontiac Firebird '81	Formula 5.0	112	152	5001	8 LG4	12.81 - 84	58231	57231	33198	38623	54537	94606	35751
Pontiac Firebird '81	Formula 5.0	112	152	5001	8 LG4	85	58234	57234	33198	38623	54537	94606	35751
Pontiac Firebird '81	Formula 5.0	112	152	5001	8 LG4	85	58235	57235	33198	38623	54537	94606	35751
Pontiac Firebird '81	Formula 5.0	112	152	5001	8 LG4	86	58234	57234	33198	38623	54537	94606	35751
Pontiac Firebird '81	Formula 5.0	112	152	5001	8 LG4	86		57236	33198	38623	54537	94606	35751
Pontiac Firebird '81	Formula 5.0	112	152	5001	8 LG4	87	58229	57229	33198	38623	54537	94606	35751
Pontiac Firebird '81	Formula 5.0	112	152	5001	8 LG4	87	58231	57231	33198	38623	54537	94606	35751
Pontiac Firebird '81	Formula 5.0	112	152	5001	8 LG4	88 - 10.89	58238	57238	33198	38623	54586	94606	35751
Pontiac Firebird '81	TransAm 5.0	127	173	4998	8 E-TBI	09.87 - 12.89	58238	57238	33198	38623	54586	94606	35751
Pontiac Firebird '89	TransAm 3.2	104	141	3135	6 LHU	10.91 - 12.93	58941	57941	33198	38623	54586	94606	35751
Pontiac Firebird Cab.	3.4	119	162	3350	6	01.93 - 94	88955	57955	33114	38623	54589	94760	35751
Pontiac Firebird Cab.	3.4	119	162	3350	6	95 -	88955	57955	33158	38623	54589	94760	36674
Pontiac Trans Sport '89	2.3	101	137	2260	4	01.93 - 12.94	58986	57986	33207	38623	54594	94759	35974
Pontiac Trans Sport '89	2.3	101	137	2260	4	01.95 - 03.97	58981	57981	33105	38623	54594	94759	35974
Pontiac Trans Sport '89	2.3	108	147	2260	4	01.93 - 12.94	58986	57986	33207	38623	54594	94759	35974
Pontiac Trans Sport '89	2.3	108	147	2260	4	01.95 - 03.97	58981	57981	33105	38623	54594	94759	35974
Pontiac Trans Sport '89	3.1	90	122	3128	6	07.89 - 91	58777	57777	33185	38623	54404	94759	35974
Pontiac Trans Sport '89	3.1	90	122	3128	6	92		57979	33185	38623	54404	94759	35974
Pontiac Trans Sport '89	3.1	90	122	3128	6	92 - 93		57961	33207	38623	54404	94759	35974
Pontiac Trans Sport '89	3.1	90	122	3128	6	92 - 93	58972	57972	33131	38623	54404	94759	35974
Pontiac Trans Sport '89	3.1	90	122	3128	6	94 - 95	58972	57972	33105	38623	54594	94759	35974
Pontiac Trans Sport '89	3.1	90	122	3128	6	95 - 03.97	58992	57992		38623	54594	94759	35974
Pontiac Trans Sport '89	3.1	104	141	3135	6	07.89 - 91	58777	57777	33185	38623	54404	94759	35974
Pontiac Trans Sport '89	3.1	104	141	3135	6	92		57979	33185	38623	54404	94759	35974
Pontiac Trans Sport '89	3.1	104	141	3135	6	92 - 93		57961	33207	38623	54404	94759	35974
Pontiac Trans Sport '89	3.1	104	141	3135	6	92 - 93	58972	57972	33131	38623	54404	94759	35974
Pontiac Trans Sport '89	3.1	104	141	3135	6	94 - 95	58972	57972	33105	38623	54594	94759	35974
Pontiac Trans Sport '89	3.1	104	141	3135	6	95 - 03.97	58992	57992		38623	54594	94759	35974
Pontiac Trans Sport '89	3.8	112	152	3791	6	07.89 - 91	58777	57777	33185	38623	54404	94759	35974
Pontiac Trans Sport '89	3.8	112	152	3791	6	92	88967	57967	33125	38623	54404	94759	35974
Pontiac Trans Sport '89	3.8	112	152	3791	6	93	88967	57967	33208	38623	54404	94759	35974
Pontiac Trans Sport '89	3.8	112	152	3791	6	94 - 03.97	88958	57958	33106	38623	54594	94759	35974
Pontiac Trans Sport '89	3.8	123	167	3791	6	07.89 - 91	58777	57777	33185	38623	54404	94759	35974
Pontiac Trans Sport '89	3.8	123	167	3791	6	92	88967	57967	33125	38623	54404	94759	35974
Pontiac Trans Sport '89	3.8	123	167	3791	6	93	88967	57967	33208	38623	54404	94759	35974
Pontiac Trans Sport '89	3.8	123	167	3791	6	94 - 03.97	88958	57958	33106	38623	54594	94759	35974
Pontiac Trans Sport '89	3.8	127	172	3791	6	07.89 - 91	58777	57777	33185	38623	54404	94759	35974
Pontiac Trans Sport '89	3.8	127	172	3791	6	92	88967	57967	33125	38623	54404	94759	35974
Pontiac Trans Sport '89	3.8	127	172	3791	6	93	88967	57967	33208	38623	54404	94759	35974



	kW	PS	CC	Cyl								
Pontiac Trans Sport '89 3.8	127	172	3791	6	94 - 03.97	88958	57958	33106	38623	54594	94759	35974
Pontiac Trans Sport '97 3.4	134	182	3350	6	03.97 - 09.98	58992	57992	33214	38623	54567	93016	
Pontiac Trans Sport '97 3.4	137	186	3350	6	09.98 - 00	58992	57992	33214	38623	54567	93016	
Pontiac Trans Sport '97 3.4	137	186	3350	6	00 -		67474	83226	39099	54883		
Pontiac Trans Sport '97 3.4	137	186	3350	6	00 -		67476	83226	39099	54883		



4 SEASONS	Page	4 SEASONS	Page	4 SEASONS	Page	4 SEASONS	Page	4 SEASONS	Page	4 SEASONS	Page	4 SEASONS	Page	4 SEASONS	Page	4 SEASONS	Page	4 SEASONS	Page
20909	201	54537	197	58240	192														
33102	199	54567	197	58777	192														
33104	199	54573	197	58935	192														
33105	199	54586	197	58941	193														
33106	199	54589	197	58948	193														
33114	199	54590	197	58971	193														
33115	199	54594	197	58972	193														
33125	199	54597	197	58981	193														
33129	199	54883	197	58986	195														
33130	199	57229	192	58991	193														
33131	199	57231	192	58992	193														
33140	200	57234	192	67277	193														
33157	200	57235	192	67288	193														
33158	200	57236	194	67474	195														
33184	200	57237	192	67476	195														
33185	200	57238	192	68277	193														
33191	200	57240	192	68288	193														
33198	200	57332	194	77362	195														
33207	200	57777	192	77363	195														
33208	200	57867	194	78362	195														
33214	200	57935	192	78363	195														
33752	200	57941	193	83208	200														
33754	200	57947	194	83212	200														
35751	201	57948	193	83226	200														
35974	201	57950	194	88867	194														
36655	201	57955	194	88947	194														
36658	201	57957	194	88950	194														
36674	201	57958	194	88955	194														
38623	201	57961	195	88957	194														
38638	201	57967	194	88958	194														
38642	201	57971	193	88967	194														
38804	201	57972	193	93014	198														
38887	201	57979	195	93015	198														
39099	201	57981	193	93016	198														
53593	196	57986	195	93050	198														
53967	196	57991	193	93055	198														
54271	196	57992	193	94480	198														
54342	196	58229	192	94494	198														
54404	196	58231	192	94606	198														
54413	196	58234	192	94608	198														
54474	196	58235	192	94759	199														
54510	196	58237	192	94760	199														
54520	196	58238	192	94762	199														

O.E.  

10077278	57332	1131723	33198	1135215	57986	1136535	88955	15169965	78363	3031409	35751	52467019	54589
10302742	39099	1131813	57961	1135215	58986	1136541	57947	15-60093	93050	3033879	38623	52467069	94480
10306782	54883	1131834	57979	1135230	57972	1136541	88947	15707611	77363	3033919	38623	52468039	94760
10316617	83226	1131848	57967	1135230	58972	1137007	67277	15707611	78363	3041336	35751	52470154	94480
10318705	67476	1131848	88967	1135278	57971	1137007	68277	15966454	36655	3041336	35751	52470569	53593
10322841	67476	1131863	33129	1135278	58971	1137008	67277	25604948	36658	3041409	35751	52470828	94762
10413214	67474	1131874	57961	1135283	57992	1137008	68277	2724260	33198	3041596	35751	52473178	93014
10424737	67476	1131875	57935	1135283	58992	1137014	67288	2724260	33198	3048188	54342	52473322	93050
1131061	57231	1131875	58935	1135314	57991	1137014	68288	2724262	33198	3048945	94606	52474457	54271
1131061	58231	1131878	57941	1135314	58991	12321365	57235	2724262	33198	3049052	54537	52477004	38887
1131076	57231	1131878	58941	1135322	57971	12321365	58235	2724288	33191	3050142	94608	52481264	93015
1131076	58231	1131921	57935	1135322	58971	12322321	57236	2724290	33184	3050246	35751	52481498	93016
1131078	57231	1131921	58935	1135436	57971	12322324	57238	2724333	35974	3050414	54520	52481854	93055
1131078	58231	1131931	33129	1135436	58971	12322324	58238	2724350	57231	3052870	94494	52494294	54573
1131113	57231	1131945	33115	1136024	57967	12322328	57234	2724350	58231	3057733	54510	52494507	54567
1131113	58231	1131949	33106	1136024	88967	12322328	58234	2724351	57238	3058444	33198	6551917	35974
1131139	57231	1131951	33105	1136048	57967	12322332	57235	2724351	58238	3058444	33198	6551943	35974
1131139	58231	1131960	33140	1136048	88967	12322332	58235	2724353	57237	3058630	94480	88892650	67474
1131158	57231	1131969	33104	1136049	57961	12326200	57238	2724353	58237	3059167	33198	88892652	67476
1131158	58231	1131979	33158	1136058	57958	12326200	58238	2724408	33191	3059167	33198	88897596	67474
1131199	57229	1132002	33102	1136058	88958	12326201	57238	2724519	33130	3059315	33185	88898738	67476
1131199	58229	1132648	33158	1136060	57961	12326201	58238	2724521	33131	3090406	33185	89022486	67476
1131200	57231	1132770	33754	1136066	57958	12326202	57237	2724568	33129	3090493	33185		
1131200	58231	1132777	83212	1136066	88958	12326202	58237	2724609	33125	3090927	57237		
1131201	57231	1132851	83212	1136073	57961	12326202	58237	2724609	33125	3090927	58237		
1131201	58231	1133416	57240	1136079	57958	12327548	57229	2724681	33115	3090927	58237		
1131331	57237	1134316	58240	1136079	88958	12327548	58229	2724688	33125	3090928	57237		
1131331	58237	1134328	57948	1136407	57958	12327553	57229	2724692	33129	3090928	58237		
1131394	33198	1134328	58948	1136407	88958	12327553	58229	2724698	33114	3091396	54520		
1131394	33198	1135103	57972	1136407	88958	12334819	57867	2724705	33207	309264	54537		
1131397	57237	1135103	58972	1136408	57958	12334819	88867	2724707	33208	3096068	38638		
1131397	58237	1135104	57986	1136408	88958	12334820	57777	2724821	33106	52451308	54404		
1131406	33198	1135104	58986	1136430	57958	12334820	58777	2724823	33105	52451309	94759		
1131406	33198	1135104	58986	1136430	88958	12334824	57777	2724824	33104	52453621	54586		
1131411	33191	1135145	57992	1136430	88958	12334824	58777	2724830	33102	52453840	94480		
1131426	33191	1135145	58992	1136469	57958	15036042	77362	2724845	33140	52456126	54342		
1131431	33184	1135154	57981	1136469	88958	15036042	78362	2724879	33158	52456127	53967		
1131503	33185	1135154	58981	1136483	57961	1508161	77363	2724891	33158	52456127	53967		
1131564	33125	1135159	57972	1136496	88957	1508161	78363	2724934	33752	52457451	54520		
1131637	57229	1135159	58972	1136496	88957	15081860	77362	2724938	33157	52457704	54474		
1131637	58229	1135202	57991	1136519	57950	15081860	78362	2724939	33214	52458711	38804		
1131639	57231	1135202	58991	1136519	88950	15081860	78362	2724940	33754	52462560	54589		
1131639	58231	1135205	57986	1136521	57947	15081861	77363	2724968	33214	52462735	94480		
1131639	58231	1135205	57986	1136521	88947	15081861	78363	2724986	33214	52463451	54594		
1131649	57238	1135205	58986	1136527	57950	15169964	77362	2724986	83208	52463741	54597		
1131649	58238	1135214	57972	1136527	88950	15169964	78362	3031336	35751	52463785	54413		
1131649	58238	1135214	58972	1136535	57955	15169965	77363	3031336	35751	52463867	54590		

4 SEASONS

NEW: 58229
RMFG: 57229



∅	133 mm
🔧	1 G - A
📏	235 cc
Harrison R4	

1131199 / 1131637 / 12327548 / 12327553

4 SEASONS

NEW: 58231
RMFG: 57231



∅	127 mm
🔧	1 G - A
📏	235 cc
Harrison R4	

1131078 / 1131113 / 1131139 / 1131158 / 1131200 / 1131201 / 1131639 / 2724350

4 SEASONS

NEW: 58234
RMFG: 57234



∅	137 mm
🔧	1 G - A
📏	235 cc
Harrison R4	

12322328

4 SEASONS

NEW: 58235
RMFG: 57235



∅	130 mm
🔧	1 G - A
📏	235 cc
Harrison R4	

12321365 / 12322332

4 SEASONS

NEW: 58237
RMFG: 57237



∅	108 mm
🔧	Poly-V6
📏	235 cc
Harrison R4	

1131331 / 1131397 / 12326202 / 2724353 / 3090927 / 3090928

4 SEASONS

NEW: 58238
RMFG: 57238



∅	127 mm
🔧	Poly-V6
📏	235 cc
Harrison R4	

1131649 / 12322324 / 12326200 / 12326201 / 2724351

4 SEASONS

NEW: 58240
RMFG: 57240




∅	130 mm
🔧	1 G - A
📏	235 cc
Harrison R4	

1134316

4 SEASONS

NEW: 58777
RMFG: 57777




∅	114 mm
🔧	Poly-V6
📏	235 cc
Harrison V5	

12334820 / 12334824

4 SEASONS

NEW: 58935
RMFG: 57935



🔧	48656
∅	108 mm
🔧	Poly-V6
📏	235 cc
Harrison LT R4	

1131875 / 1131921

Non contractual pictures / photos non contractuelles / nicht vertragliche Fotos / fotografie non contrattuali / fotos no contractuales


4 SEASONS **NEW: 58941**
RMFG: 57941



Ø 127 mm
Poly-V6
235 cc
Harrison LT R4

1131878

4 SEASONS **NEW: 58948**
RMFG: 57948



Ø 108 mm
Poly-V6
235 cc
Harrison R4

48656

1134328


4 SEASONS **NEW: 58971**
RMFG: 57971



Ø 127 mm
Poly-V6
235 cc
Harrison V5

1135278 / 1135322 / 1135436

4 SEASONS **NEW: 58972**
RMFG: 57972



Ø 121 mm
Poly-V6
235 cc
Harrison V5

48660

1135103 / 1135159 / 1135214 / 1135230

4 SEASONS **NEW: 58981**
RMFG: 57981



Ø 127 mm
Poly-V5
235 cc
Harrison V5

1135154

4 SEASONS **NEW: 58991**
RMFG: 57991



Ø 122 mm
Poly-V5
235 cc
Harrison V5

1135202 / 1135314

4 SEASONS **NEW: 58992**
RMFG: 57992



Ø 127 mm
Poly-V6
235 cc
Harrison V5

1135145 / 1135283

4 SEASONS **NEW: 68277**
RMFG: 67277



Ø 137 mm
Poly-V4
235 cc
Harrison V7

1137007 / 1137008

4 SEASONS **NEW: 68288**
RMFG: 67288



Ø 115 mm
Poly-V4
235 cc
Harrison V7

1137014

Non contractual pictures / photos non contractuelles / nicht vertragliche Fotos / fotografie non contrattuali / fotos no contractuales

4 SEASONS




NEW: 88867
RMFG: 57867

 **48665**

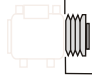
Ø 140 mm
Poly-V6
235 cc
Harrison HR6 / DA6

12334819

4 SEASONS




NEW: 88947
RMFG: 57947

 **48655**


Ø 108 mm
Poly-V6
235 cc
Harrison HT6

1136521 / 1136541

4 SEASONS



NEW: 88950
RMFG: 57950

 **48655**

Ø 127 mm
Poly-V6
235 cc
Harrison HT6

1136519 / 1136527

4 SEASONS



NEW: 88955
RMFG: 57955

 **48667**

Ø 121 mm
Poly-V6
235 cc
Harrison HD6

1136535

4 SEASONS




NEW: 88957
RMFG: 57957

 **48665**

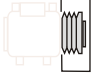
Ø 140 mm
Poly-V6
235 cc
Harrison HD6

1136496

4 SEASONS



NEW: 88958
RMFG: 57958

 **48665**

Ø 140 mm
Poly-V6
235 cc
Harrison HD6

1136058 / 1136066 / 1136079 / 1136407 / 1136408 / 1136430 / 1136469

4 SEASONS




NEW: 88967
RMFG: 57967

Ø 140 mm
Poly-V6
235 cc
Harrison HR6 / DA6

1131848 / 1136024 / 1136048

4 SEASONS




NEW:
RMFG: 57236

Ø 139 mm
1 G - A
235 cc
Harrison R4

12322321

4 SEASONS



NEW:
RMFG: 57332

Ø 117 mm
Poly-V6
200 cc
Nippondenso 10PA20C

10077278

Non contractual pictures / photos non contractuelles / nicht vertragliche Fotos / fotografie non contrattuali / fotos no contractuales

4 SEASONS **NEW:** **RMFG:** **57961**






48655

Ø 108 mm
Poly-V6
235 cc
Harrison HR6 / DA6

1131813 / 1131874 / 1136049 / 1136060 / 1136073 / 1136483

4 SEASONS **NEW:** **RMFG:** **57979**


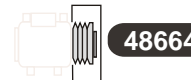



48660

Ø 121 mm
Poly-V6
235 cc
Harrison V5

1131834

4 SEASONS **NEW:** **58986** **RMFG:** **57986**

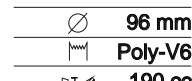



48664

Ø 127 mm
Poly-V5
235 cc
Harrison V5

1135104 / 1135205 / 1135215

4 SEASONS **NEW:** **RMFG:** **67474**

96 mm
Poly-V6
190 cc
Mitsubishi MSC105CVSG5

⚠ With single A/C
10413214 / 88892650 / 88897596


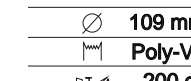
4 SEASONS **NEW:** **RMFG:** **67476**




100 mm
Poly-V6
230 cc
Mitsubishi MSC130CVSG2

⚠ With double A/C
10318705 / 10322841 / 10424737 / 88892652 / 88898738 / 89022486


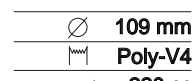
4 SEASONS **NEW:** **78362** **RMFG:** **77362**

109 mm
Poly-V4
200 cc
Nippondenso 10S17F

⚠ With single A/C
15036042 / 15081860 / 15169964

4 SEASONS **NEW:** **78363** **RMFG:** **77363**

109 mm
Poly-V4
220 cc
Nippondenso 10S20F

⚠ With double A/C
1508161 / 15081861 / 15169965 / 15707611

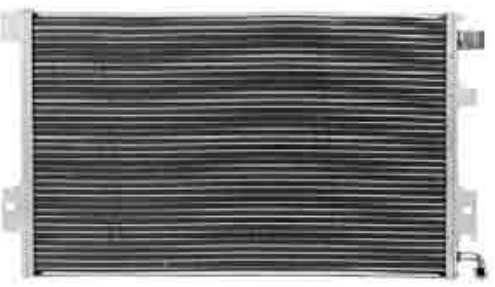
4 SEASONS

4 SEASONS

Non contractual pictures / photos non contractuelles / nicht vertragliche Fotos / fotografie non contrattuali / fotos no contractuales

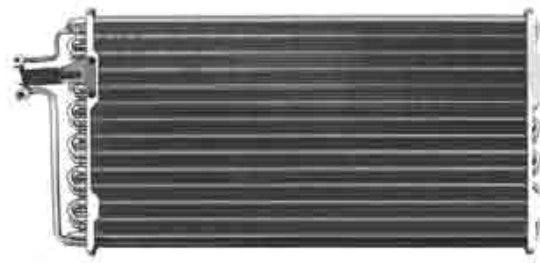


4 SEASONS **53593**
667 x 403 x 22



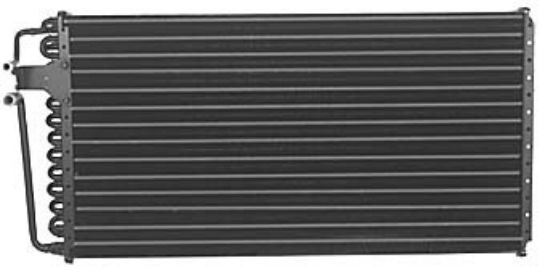
52470569

4 SEASONS **53967**
660 x 356 x 32



52456127

4 SEASONS **54342**
673 x 356 x 35



3048188 / 52456126

4 SEASONS **54271**
343 x 225 x 73



52474457

4 SEASONS **54404**
343 x 229 x 92



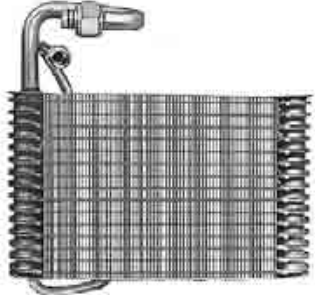
52451308

4 SEASONS **54413**
336 x 187 x 73



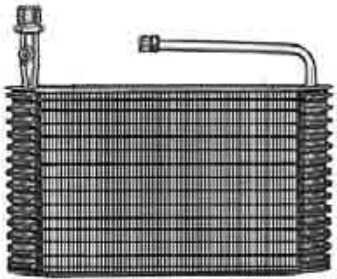
52463785

4 SEASONS **54474**
343 x 203 x 73



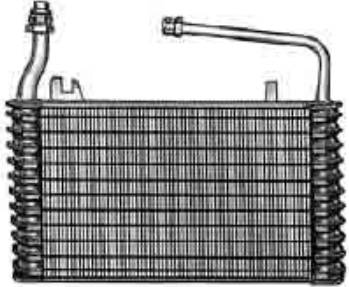
52457704

4 SEASONS **54510**
254 x 184 x 70



3057733

4 SEASONS **54520**
267 x 171 x 92



3050414 / 3091396 / 52457451

Non contractual pictures / photos non contractuelles / nicht vertragliche Fotos / fotografie non contrattuali / fotos no contractuales

4 SEASONS

54537
267 x 171 x 92

3049052 / 309264

4 SEASONS

54567
251 x 283 x 73

52494507

4 SEASONS

54573
283 x 270 x 73

52494294

4 SEASONS

54586
343 x 178 x 89

52453621

4 SEASONS

54589
279 x 203 x 73

52462560 / 52467019

4 SEASONS

54590
343 x 203 x 73

52463867

4 SEASONS

54594
343 x 229 x 117

52463451

4 SEASONS

54597
343 x 241 x 102

52463741

4 SEASONS

54883
250 x 178 x 60

10306782

Non contractual pictures / photos non contractuelles / nicht vertragliche Fotos / fotografie non contrattuali / fotos no contractuales



4 SEASONS

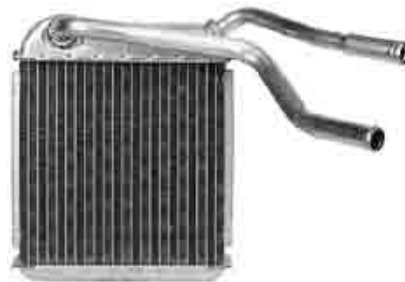


93014

194 x 279 x 51

52473178

4 SEASONS



93015

203 x 248 x 51

52481264

4 SEASONS



93016

171 x 260 x 51

52481498

4 SEASONS



93050

190 x 209 x 44

15-60093 / 52473322

4 SEASONS



93055

159 x 209 x 25

52481854

4 SEASONS



94480

44 x 181 x 51

3058630 / 52453840 / 52462735 / 52467069 / 52470154

4 SEASONS



94494

152 x 178 x 51

3052870

4 SEASONS



94606

178 x 178 x 51

3048945

4 SEASONS



94608

152 x 203 x 51

3050142

Non contractual pictures / photos non contractuelles / nicht vertragliche Fotos / fotografie non contrattuali / fotos no contractuales

4 SEASONS

94759

187 x 203 x 51



52451309

4 SEASONS

94760

184 x 171 x 25



52468039

4 SEASONS

94762

184 x 209 x 35



52470828

4 SEASONS

33102



1132002 / 2724830

4 SEASONS

33104



1131969 / 2724824

4 SEASONS

33105



1131951 / 2724823

4 SEASONS

33106



1131949 / 2724821

4 SEASONS


33114



2724698

4 SEASONS


33115



1131945 / 2724681

4 SEASONS

33125



1131564 / 2724609 / 2724688

4 SEASONS

33129



1131863 / 1131931 / 2724568 / 2724692

4 SEASONS

33130



2724519

4 SEASONS

33131



2724521

⚠ With double A/C

Non contractual pictures / photos non contractuelles / nicht vertragliche Fotos / fotografie non contrattuali / fotos no contractuales



4 SEASONS **33140**

1131960 / 2724845

4 SEASONS **33157**

2724938

4 SEASONS **33158**

1132648 / 2724910 / 1131979 / 2724879

4 SEASONS **33184**

1131431 / 2724290

4 SEASONS **33185**

1131503 / 3059315 / 3090406 / 3090493

4 SEASONS **33191**

1131411 / 1131426 / 2724288 / 2724408

4 SEASONS **33198**

1131394 / 1131406 / 1131723 / 2724260 / 2724262 / 3058444 / 3059167

4 SEASONS **33207**

2724705

With single A/C

4 SEASONS **33208**

2724707

4 SEASONS **33214**

2724939 / 2724968

4 SEASONS **33752**

2724934

4 SEASONS **33754**

1132770 / 2724940

4 SEASONS **83208**

2724986

4 SEASONS **83212**

1132777 / 1132851

4 SEASONS **83226**

10316617

Non contractual pictures / photos non contractuelles / nicht vertragliche Fotos / fotografie non contrattuali / fotos no contractuales

4 SEASONS **38623**



3033879 / 3033919

⚠ White

4 SEASONS **38638**



3096068

⚠ Red

4 SEASONS **38642**



52458711

⚠ Yellow

4 SEASONS **38804**



52477004

⚠ Yellow / White

4 SEASONS **38887**



52477004

⚠ Yellow / White

4 SEASONS **39099**



10302742

4 SEASONS **20909**



3031336 / 3031409 / 3041336 / 3041409 / 3041596 / 3050246

4 SEASONS **35751**



2724333 / 6551917 / 6551943

4 SEASONS **35974**



15966454

4 SEASONS **36655**



15966454

4 SEASONS **36658**



25604948

4 SEASONS **36674**



R134a

Non contractual pictures / photos non contractuelles / nicht vertragliche Fotos / fotografie non contrattuali / fotos no contractuales